

## Open Frame - Relay Racks - Knockdown (DNRR Series) - *Light Duty*

**Path:** [Home](#) > [Rack Index](#) > **Open Frame Relay Racks - Knockdown - *Light Duty* (DNRR Series)**



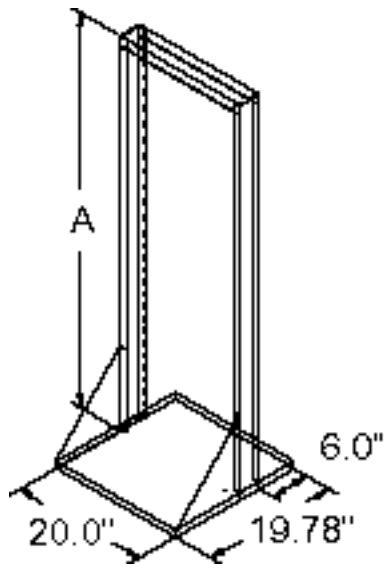
(click to enlarge)




[Assembly  
Instructions](#)

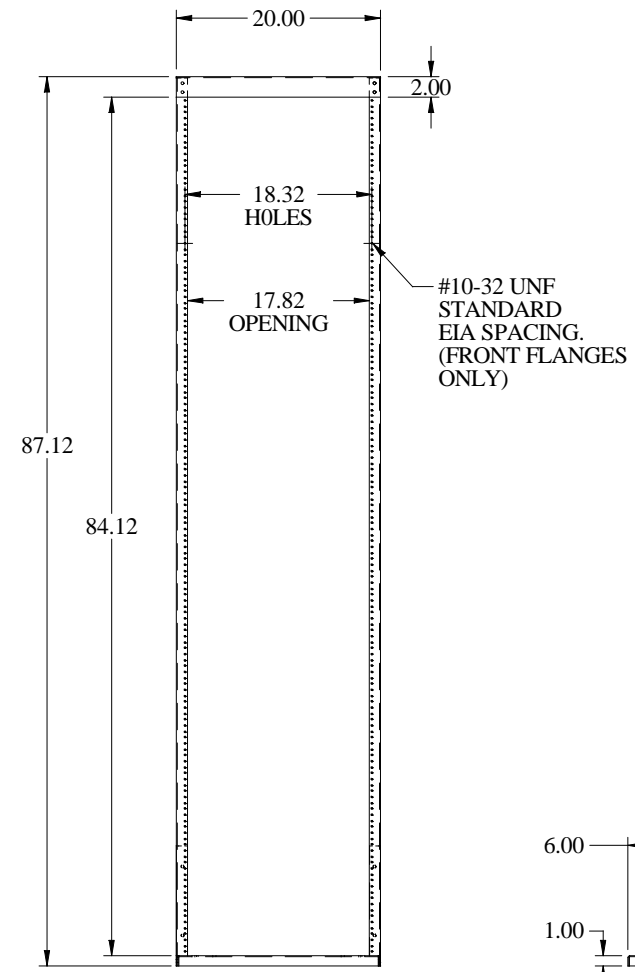
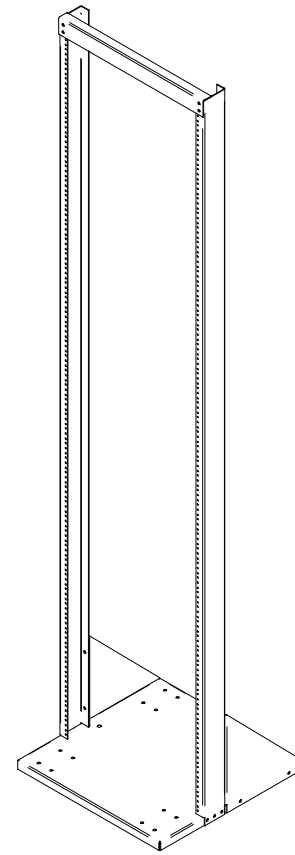
### **Features:**

- Suitable for many 19" rack mount applications (20" wide overall), providing complete access to equipment...
- Easy to assemble...
- Knockdown rack is shipped in a [flat pack container](#) (see below) for easy handling and shipping protection...
- Fabricated in 12-gauge steel or [heavy duty \(10-gauge steel\) version also available...](#)
- Front flange only - is drilled and tapped (10-32) universal EIA (5/8 - 5/8 - 1/2 inch) spacing...
- For use as a single, free standing unit for sturdy support of standard 19" rack mount devices...
- Weight load tested (DNRR1984LDK) to 800 pounds...
- Base is punched to accept four [casters](#) (Part number **1425B, 1425BM or 1425BH**)...
- Finished in rugged black powder paint.

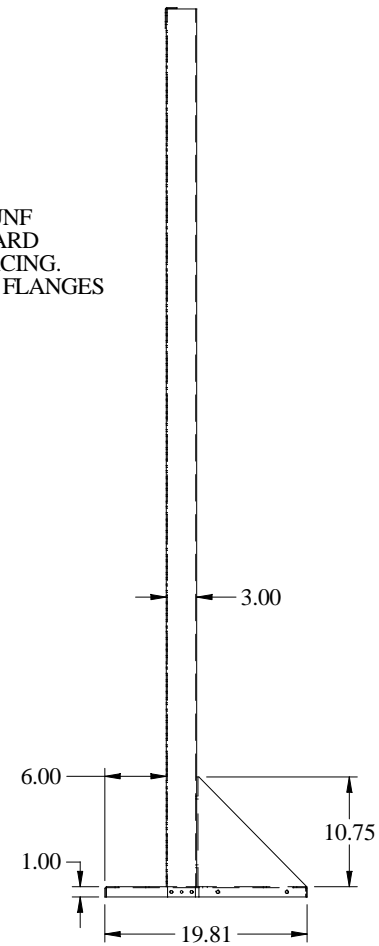


Part Number	Drawing File Size	.zip file size	Panel Height		Overall Dimensions (Inches)		Wt. lbs.
			Inches	Units	Width	A	
<b>DNRR1942LDK</b>	38K	34K	<b>42</b>	24	20	45	38
<b>DNRR1963LDK</b>	44K	40K	<b>63</b>	36	20	66	41
<b>DNRR1970LDK</b>	47K	42K	<b>70</b>	40	20	73	42
<b>DNRR1977LDK</b>	50K	44K	<b>77</b>	44	20	80	45
<b>DNRR1984LDK</b>	49K	46K	<b>84</b>	48	20	87	47

 PART No. DNRR1984LDK

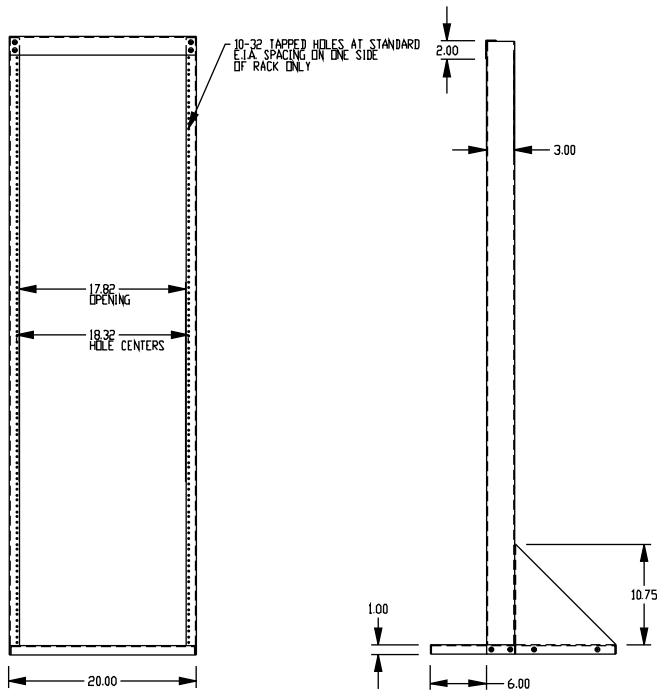


FRONT VIEW



SIDE VIEW

# Light Duty - Knockdown (DNRR Series)



## FEATURES

- Suitable for many 19" rack mount applications, providing complete access to equipment
- Easy to assemble
- Knockdown rack is shipped in a flat pack container for easy handling and shipping protection
- 12-gauge steel base & upright channel
- Provides an economical option to an enclosed rack
- Engineered for use as a solid, single, freestanding unit
- Choice of 5 popular heights
- Front flange (ONLY) drilled & tapped rails, 10-32, universal EIA spacing (5/8 - 5/8 - 1/2 inch)
- Weight load tested (DNRR1984LDK) to 800 pounds
- Base is punched to accept four casters (Part number 1425B, 1425BM or 1425BH) - see page 121
- Tough textured black powder finish paint

## Tapped - Front Flange Only

Part Number	Panel Height		Overall Height (Inches)	Panel Width (Inches)	Hole Thread
	Inches	Units			
DNRR1942LDK	42	24	45	19	10-32
DNRR1963LDK	63	36	66	19	10-32
DNRR1970LDK	70	40	73	19	10-32
DNRR1977LDK	77	44	80	19	10-32
DNRR1984LDK	84	48	87	19	10-32